

Bases, single locking lever

Size 6Ex

Bases Size 6Ex



open
without cover
with cover



closed
1 cable gland, lateral
cable entry
without cover
with cover



closed
1 cable gland, bottom
with cover



Description	Type	M	Part No.	P.U.
Bases, size 6Ex	Housing, die cast zinc alloy			
Open-bottom base				
without cover	EX GUT GK 6 09IA Z		70.320.0628.9	1
with cover	EX GUT GP 6 09IA Z		70.325.0628.9	1
cover with gasket	EX GUT GV 6 09IA Z		99.700.3329.7	10
Closed-bottom base				
2 cable glands, 2 x M20				
without cover				
with cable gland, IP54, $\rightarrow \text{Ø} \leftarrow$ 3 – 14.5 mm	EX GUT GL 6 M20 09IA Z0	20	70.330.0636.0	1
with cover				
with cable gland, IP54, $\rightarrow \text{Ø} \leftarrow$ 3 – 14.5 mm	EX GUT GR 6 M20 09IA Z0	20	70.340.0636.0	1
2 cable glands, 2 x M25				
without cover				
with cable gland, IP54, $\rightarrow \text{Ø} \leftarrow$ 7.5 – 19 mm	EX GUT GL 6 M25 09IA Z0	25	70.334.0636.0	1
with cover				
with cable gland, IP54, $\rightarrow \text{Ø} \leftarrow$ 7.5 – 19 mm	EX GUT GR 6 M25 09IA Z0	25	70.344.0636.0	1
1 cable gland, left, 1 x M20				
without cover				
with cable gland, IP54, $\rightarrow \text{Ø} \leftarrow$ 3 – 14.5 mm	EX GUT GM 6 M20 09IA Z0	20	70.331.0636.0	1
with cover				
with cable gland, IP54, $\rightarrow \text{Ø} \leftarrow$ 3 – 14.5 mm	EX GUT GS 6 M20 09IA Z0	20	70.341.0636.0	1
1 cable gland, left, 1 x M25				
without cover				
with cable gland, IP54, $\rightarrow \text{Ø} \leftarrow$ 7.5 – 19 mm	EX GUT GM 6 M25 09IA Z0	25	70.335.0636.0	1
with cover				
with cable gland, IP54, $\rightarrow \text{Ø} \leftarrow$ 7.5 – 19 mm	EX GUT GS 6 M25 09IA Z0	25	70.345.0636.0	1
1 cable gland, right, 1 x M20				
with cover				
with cable gland, IP54, $\rightarrow \text{Ø} \leftarrow$ 3 – 14.5 mm	EX GUT GT 6 M20 09IA Z0	20	70.342.0636.0	1
1 cable gland, right, 1 x M25				
with cover				
with cable gland, IP54, $\rightarrow \text{Ø} \leftarrow$ 7.5 – 19 mm	EX GUT GT 6 M25 09IA Z0	25	70.346.0636.0	1
1 cable gland, bottom, 1 x M20				
without cover				
with cable gland, IP54, $\rightarrow \text{Ø} \leftarrow$ 3 – 14.5 mm	EX GUT GO 6 M20 09IA Z0	20	70.333.0636.0	1
with cover				
with cable gland, IP54, $\rightarrow \text{Ø} \leftarrow$ 3 – 14.5 mm	EX GUT GU 6 M20 09IA Z0	20	70.343.0636.0	1
1 cable gland, bottom, 1 x M25				
without cover				
with cable gland, IP54, $\rightarrow \text{Ø} \leftarrow$ 7.5 – 19 mm	EX GUT GO 6 M25 09IA Z0	25	70.337.0636.0	1
with cover				
with cable gland, IP54, $\rightarrow \text{Ø} \leftarrow$ 7.5 – 19 mm	EX GUT GU 6 M25 09IA Z0	25	70.347.0636.0	1
Technical data				
Material metal/plastic	Die cast zinc alloy/Cover Polyamide			
Surface	powder coated, light blue			
Locking levers	zinc-plated steel			
Gasket	NBR			
Degree of protection				
with latched locking levers	IP54			
with appropriate cable glands	IP65			
Temperature range	-20 ... +60 °C			
Contact inserts				
See the product matrix	Page 24–25			

Special conditions for safe use:

1. The heavy duty connectors must be attached to a device in such a way that a minimum protection rating of IP54 is maintained in accordance with EN 60529.
2. The plug connectors can be used in an ambient temperature ranges of -20 °C to +60 °C.

See section "facts & DATA" for handling and assembly of the multipole connectors.

0344  I M1 Ex ia I

BVS 03 ATEX 184 X

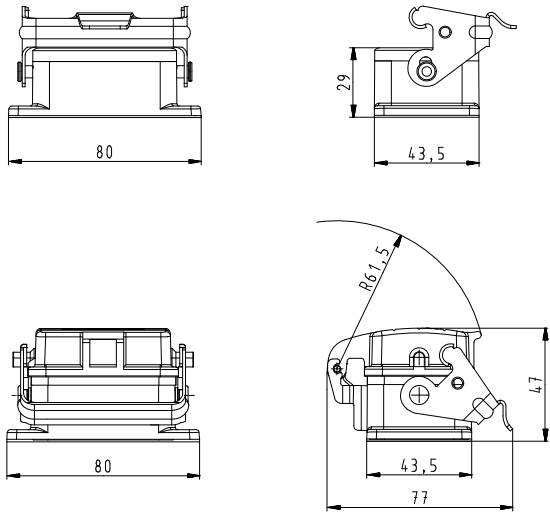
EN 60079-0:2006 EN 60079-11:2007 EN 50303:2000

For assembly instructions, see page 278 and 283.

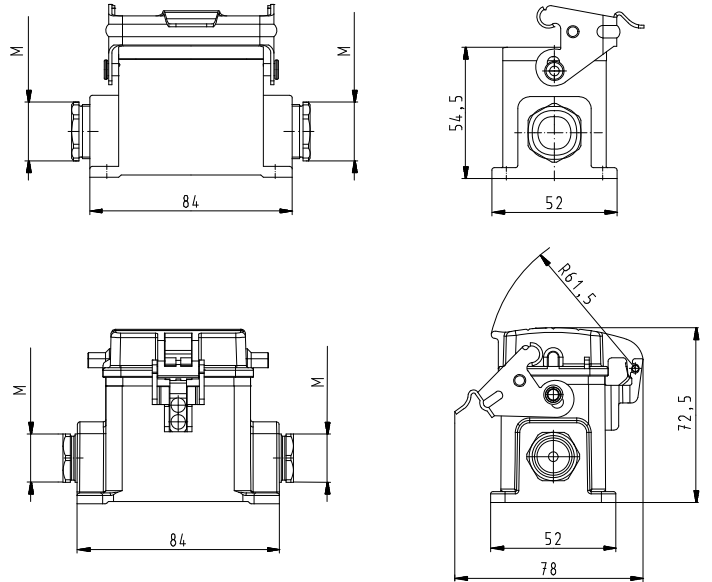
Dimensions

Bases

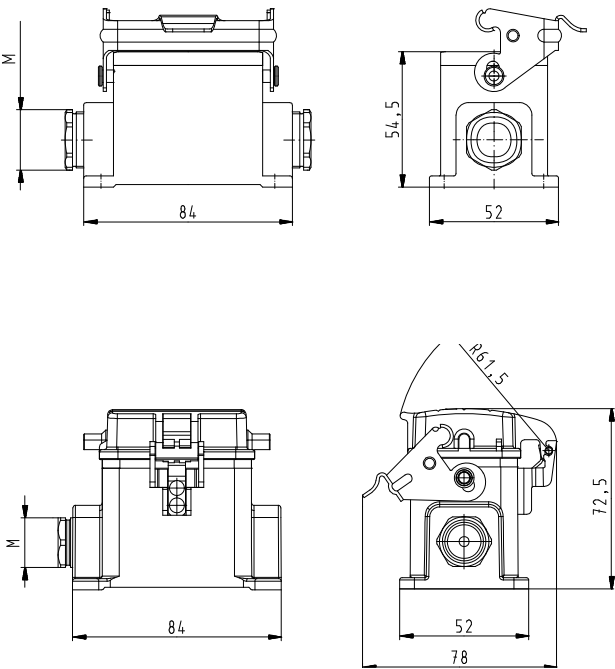
open



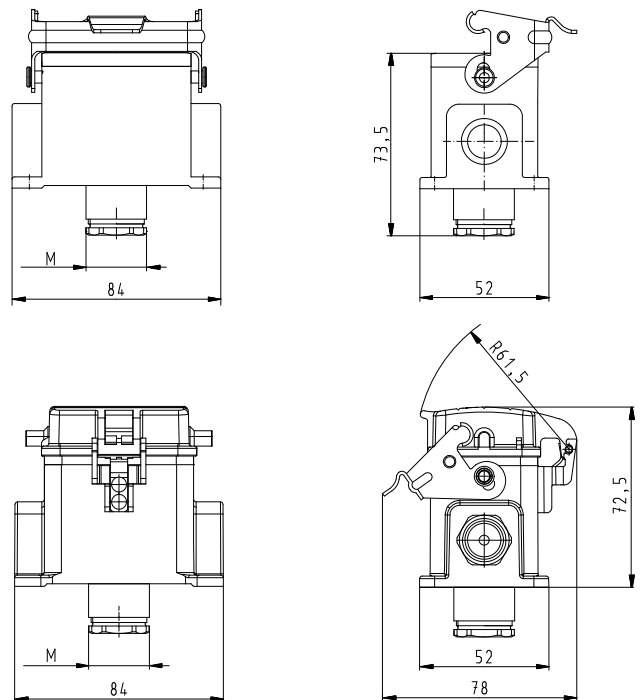
closed, 2 cable glands, lateral cable entry



closed, 1 cable gland, lateral cable entry



closed, 1 cable gland, bottom



Hoods, double locking lever

Size 10Ex

Hoods Size 10Ex



Lateral cable entry

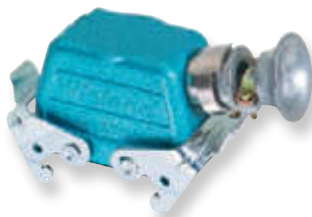


Top cable entry



Multipole connectors for cable-to-cable couplings with Locking levers and gasket

Lateral cable entry



Top cable entry



Description	Type	M	Part No.	P.U.
Hoods, size 10Ex	Housing, die cast zinc alloy			
Lateral cable entry M20				
with threaded collar	EX GOT GA 10 M20 09IA Z1	20	70.350.1036.1	1
with strain relief, IP54 → Ø ← 9 – 13.5 mm	EX GOT GA 10 M20 09IA Z3	20	70.350.1036.3	1
Lateral cable entry M25				
with threaded collar	EX GOT GA 10 M25 09IA Z1	25	70.353.1036.1	1
with strain relief, IP54 → Ø ← 14 – 20 mm	EX GOT GA 10 M25 09IA Z3	25	70.353.1036.3	1
Top cable entry M20				
with threaded collar	EX GOT GC 10 M20 09IA Z1	20	70.352.1036.1	1
with strain relief, IP54 → Ø ← 9 – 13.5 mm	EX GOT GC 10 M20 09IA Z3	20	70.352.1036.3	1
Top cable entry M25				
with threaded collar	EX GOT GC 10 M25 09IA Z1	25	70.354.1036.1	1
with strain relief, IP54 → Ø ← 14 – 20 mm	EX GOT GC 10 M25 09IA Z3	25	70.354.1036.3	1
90 V Hoods, size 10Ex				
with Locking levers without gasket				
Lateral cable entry M20				
with threaded collar, with Locking levers	EX GOT GD 10 M20 09IA Z1	20	70.355.1036.1	1
with strain relief, IP54 → Ø ← 9 – 13.5 mm, with Locking levers	EX GOT GD 10 M20 09IA Z3	20	70.355.1036.3	1
Lateral cable entry M25				
with threaded collar, with Locking levers	EX GOT GD 10 M25 09IA Z1	25	70.358.1036.1	1
with strain relief, IP54 → Ø ← 14 – 20 mm, with Locking levers	EX GOT GD 10 M25 09IA Z3	25	70.358.1036.3	1
Top cable entry M20				
with threaded collar, with Locking levers	EX GOT GF 10 M20 09IA Z1	20	70.357.1036.1	1
with strain relief, IP54 → Ø ← 9 – 13.5 mm, with Locking levers	EX GOT GC 10 M20 09IA Z3	20	70.357.1036.3	1
Top cable entry M25				
with threaded collar, with Locking levers	EX GOT GF 10 M25 09IA Z1	25	70.359.1036.1	1
with strain relief, IP54 → Ø ← 14 – 20 mm, with Locking levers	EX GOT GF 10 M25 09IA Z3	25	70.359.1036.3	1
Multipole connectors for cable-to-cable couplings with Locking levers and gasket				
Lateral cable entry M20				
with strain relief, IP54 → Ø ← 9 – 13.5 mm	EX GOT GS 10 M20 09IA Z4	20	99.733.3329.7	8
Lateral cable entry M25				
with strain relief, IP54 → Ø ← 14 – 20 mm	EX GOT GS 10 M25 09IA Z4	25	99.734.3329.7	1
Top cable entry M20				
with strain relief, IP54 → Ø ← 9 – 13.5 mm	EX GOT GP 10 M20 09IA Z4	20	99.743.3329.7	8
Top cable entry M25				
with strain relief, IP54 → Ø ← 14 – 20 mm	EX GOT GP 10 M25 09IA Z4	25	99.744.3329.7	8
Technical data				
Material	Die cast zinc alloy			
Surface	powder coated, light blue			
Locking levers	zinc-plated steel			
Gasket	NBR			
Degree of protection				
with latched locking levers	IP54			
with appropriate cable glands	IP65			
Temperature range	-20 ... +60 °C			
Contact inserts				
See the product matrix	Page 24–25			

Special conditions for safe use:

1. The heavy duty connectors must be attached to a device in such a way that a minimum protection rating of IP54 is maintained in accordance with EN 60529.
2. The plug connectors can be used in an ambient temperature ranges of -20 °C to +60 °C.

See section "facts & DATA" for handling and assembly of the multipole connectors.

0344  I M1 Ex ia I

BVS 03 ATEX 184 X

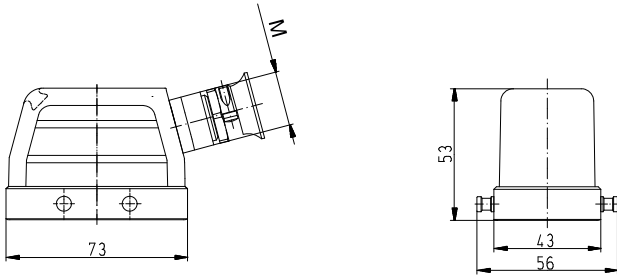
EN 60079-0:2006 EN 60079-11:2007 EN 50303:2000

For assembly instructions, see page 278 and 283.

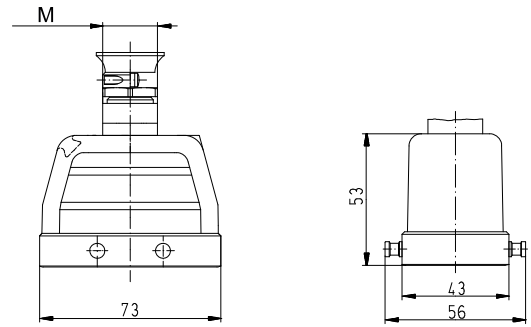
Dimensions

Hoods

Lateral cable entry

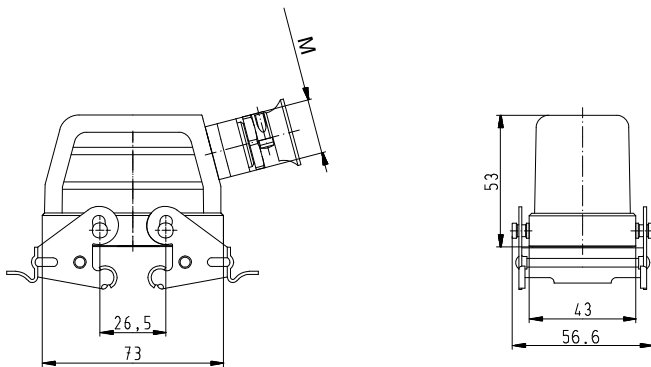


Top cable entry



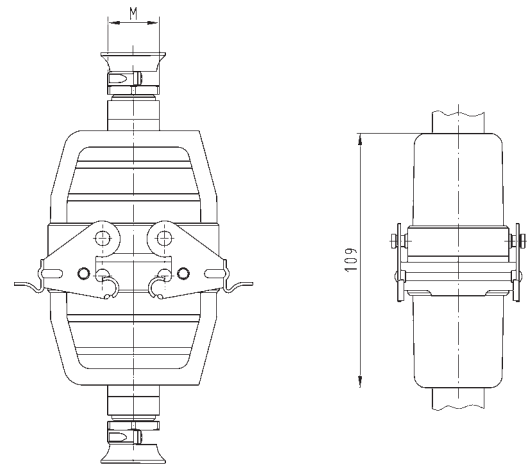
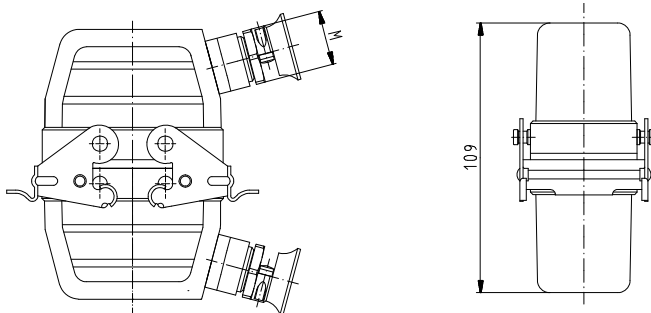
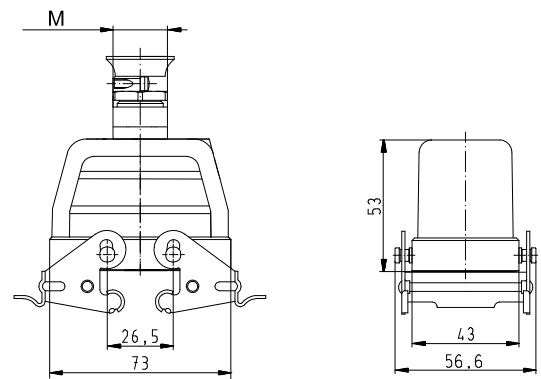
Multipole connectors for cable-to-cable couplings with Locking levers and gasket

Lateral cable entry



Multipole connectors for cable-to-cable couplings with Locking levers and gasket

Top cable entry



Bases, double locking lever

Size 10Ex

Bases Size 10Ex



open
without cover
with cover



closed
1 cable gland, lateral cable entry
without cover



closed
1 cable gland, bottom
without cover



Description	Type	M	Part No.	P.U.
Bases, size 10Ex	Housing, die cast zinc alloy			
Open-bottom base				
without cover	EX GUT GA10 09IA Z		70.320.1028.9	1
with cover, without Locking levers	EX GUT GE10 09IA Z		70.325.1028.9	1
cover with gasket	EX GUT GX10 09IA Z		99.706.3329.7	10
Closed-bottom base				
2 cable glands, 2 x M20				
without cover				
with cable gland, IP54, $\rightarrow \varnothing \leftarrow$ 3 – 14.5 mm	EX GUT GB10 M20 09IA Z0	20	70.330.1036.0	1
with cover, without Locking levers				
with cable gland, IP54, $\rightarrow \varnothing \leftarrow$ 3 – 14.5 mm	EX GUT GF10 M20 09IA Z0	20	70.340.1036.0	1
2 cable glands, 2 x M25				
without cover				
with cable gland, IP54, $\rightarrow \varnothing \leftarrow$ 7.5 – 19 mm	EX GUT GB10 M25 09IA Z0	25	70.334.1036.0	1
with cover				
with cable gland, IP54, $\rightarrow \varnothing \leftarrow$ 7.5 – 19 mm	EX GUT GF10 M25 09IA Z0	25	70.344.1036.0	1
1 cable gland, left, 1 x M20				
without cover				
with cable gland, IP54, $\rightarrow \varnothing \leftarrow$ 3 – 14.5 mm	EX GUT GC10 M20 09IA Z0	20	70.331.1036.0	1
with cover, without Locking levers				
with cable gland, IP54, $\rightarrow \varnothing \leftarrow$ 3 – 14.5 mm	EX GUT GG10 M20 09IA Z0	20	70.341.1036.0	1
1 cable gland, left, 1 x M25				
without cover				
with cable gland, IP54, $\rightarrow \varnothing \leftarrow$ 7.5 – 19 mm	EX GUT GC10 M25 09IA Z0	25	70.335.1036.0	1
with cover, without Locking levers				
with cable gland, IP54, $\rightarrow \varnothing \leftarrow$ 7.5 – 19 mm	EX GUT GG10 M25 09IA Z0	25	70.345.1036.0	1
1 cable gland, bottom, 1 x M20				
without cover				
with cable gland, IP54, $\rightarrow \varnothing \leftarrow$ 3 – 14.5 mm	EX GUT GD10 M20 09IA Z0	20	70.333.1036.0	1
with cover, without Locking levers				
with cable gland, IP54, $\rightarrow \varnothing \leftarrow$ 3 – 14.5 mm	EX GUT GI 10 M20 09IA Z0	20	70.343.1036.0	1
1 cable gland, bottom, 1 x M25				
without cover				
with cable gland, IP54, $\rightarrow \varnothing \leftarrow$ 7.5 – 19 mm	EX GUT GD10 M25 09IA Z0	25	70.337.1036.0	1
with cover, without Locking levers				
with cable gland, IP54, $\rightarrow \varnothing \leftarrow$ 7.5 – 19 mm	EX GUT GI 10 M25 09IA Z0	25	70.347.1036.0	1
Technical data				
Material metal/plastic	Die cast zinc alloy/Cover Polyamide			
Surface	powder coated, light blue			
Locking levers	zinc-plated steel			
Gasket	NBR			
Degree of protection				
with latched locking levers	IP54			
with appropriate cable glands	IP65			
Temperature range	-20 ... +60 °C			
Contact inserts				
See the product matrix	Page 24–25			

Special conditions for safe use:

1. The heavy duty connectors must be attached to a device in such a way that a minimum protection rating of IP54 is maintained in accordance with EN 60529.
2. The plug connectors can be used in an ambient temperature ranges of -20 °C to +60 °C.

See section "facts & DATA" for handling and assembly of the multipole connectors.

0344  I M1 Ex ia I

BVS 03 ATEX 184 X

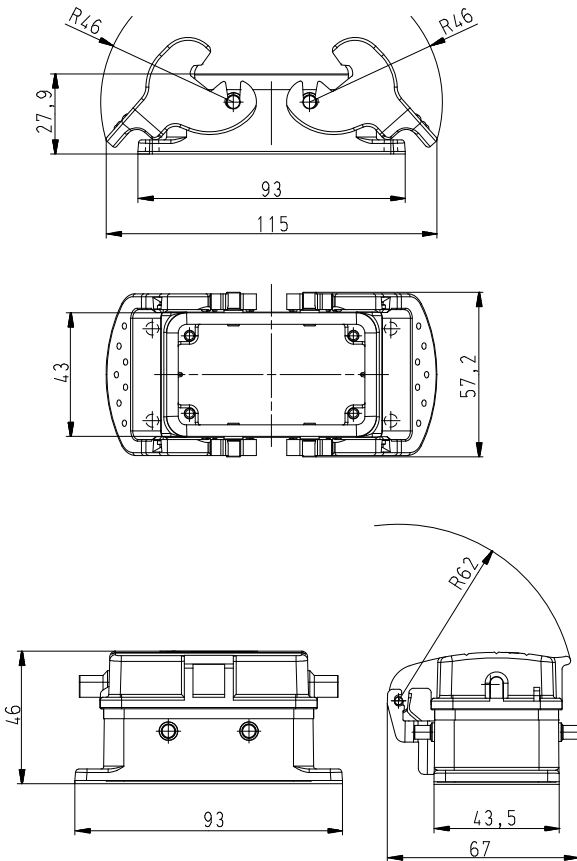
EN 60079-0:2006 EN 60079-11:2007 EN 50303:2000

For assembly instructions, see page 278 and 283.

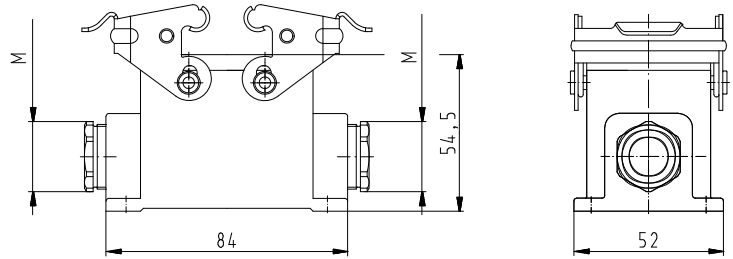
Dimensions

Bases

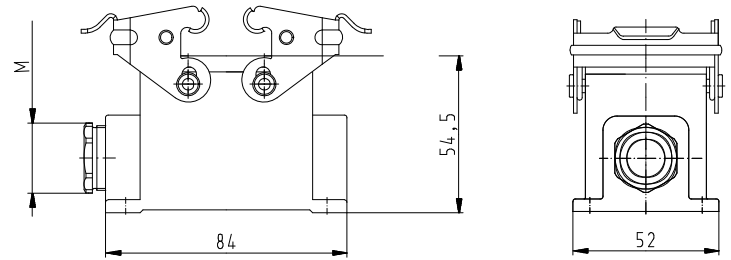
open



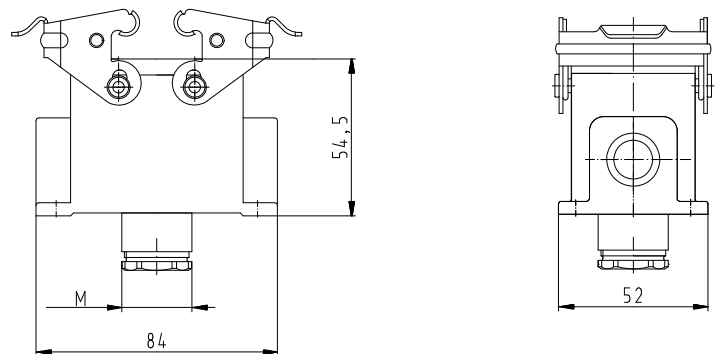
closed, 2 cable glands



closed, 1 cable gland, lateral cable entry



closed, 1 cable gland, bottom



Hoods, double locking lever

Size 16Ex

Hoods Size 16Ex



Lateral cable entry



Top cable entry



Multipole connectors for cable-to-cable couplings with Locking levers and gasket

Lateral cable entry



Top cable entry



Description	Type	M	Part No.	P.U.
Hoods, size 16Ex	Housing, die cast zinc alloy			
Lateral cable entry M25				
with threaded collar	EX GOT GA 16 M25 09IA Z1	25	70.350.1636.1	1
with strain relief, IP54 → Ø ← 14 – 20 mm	EX GOT GA 16 M25 09IA Z3	25	70.350.1636.3	1
Lateral cable entry M32				
with threaded collar	EX GOT GA 16 M32 09IA Z1	32	70.353.1636.1	1
with strain relief, IP54 → Ø ← 21 – 28.5 mm	EX GOT GA 16 M32 09IA Z3	32	70.353.1636.3	1
Top cable entry M25				
with threaded collar	EX GOT GC 16 M25 09IA Z1	25	70.352.1636.1	1
with strain relief, IP54 → Ø ← 14 – 20 mm	EX GOT GC 16 M25 09IA Z3	25	70.352.1636.3	1
Top cable entry M32				
with threaded collar	EX GOT GC 16 M25 09IA Z1	32	70.354.1636.1	1
with strain relief, IP54 → Ø ← 21 – 28.5 mm	EX GOT GC 16 M25 09IA Z3	32	70.354.1636.3	1
90 V Hoods, size 16Ex				
with Locking levers without gasket				
Lateral cable entry M25				
with threaded collar, with Locking levers	EX GOT GD 16 M25 09IA Z1	25	70.355.1636.1	1
with strain relief, IP54 → Ø ← 14 – 20 mm, with Locking levers	EX GOT GD 16 M25 09IA Z3	25	70.355.1636.3	1
Lateral cable entry M32				
with threaded collar, with Locking levers	EX GOT GD 16 M32 09IA Z1	32	70.358.1636.1	1
with strain relief, IP54 → Ø ← 21 – 28.5 mm, with Locking levers	EX GOT GD 16 M32 09IA Z3	32	70.358.1636.3	1
Top cable entry M25				
with threaded collar, with Locking levers	EX GOT GF 16 M25 09IA Z1	25	70.357.1636.1	1
with strain relief, IP54 → Ø ← 14 – 20 mm, with Locking levers	EX GOT GC 16 M25 09IA Z3	25	70.357.1636.3	1
Top cable entry M32				
with threaded collar, with Locking levers	EX GOT GF 16 M25 09IA Z1	32	70.359.1636.1	1
with strain relief, IP54 → Ø ← 21 – 28.5 mm, with Locking levers	EX GOT GF 16 M25 09IA Z3	32	70.359.1636.3	1
Multipole connectors for cable-to-cable couplings with Locking levers and gasket				
Lateral cable entry M25				
with strain relief, IP54 → Ø ← 14 – 20 mm	EX GOT GS 16 M25 09IA Z4	25	99.735.3329.7	1
Lateral cable entry M32				
with strain relief, IP54 → Ø ← 21 – 28.5 mm	EX GOT GS 16 M32 09IA Z4	32	99.736.3329.7	1
Top cable entry M25				
with strain relief, IP54 → Ø ← 14 – 20 mm	EX GOT GR 16 M25 09IA Z4	25	99.745.3329.7	1
Top cable entry M32				
with strain relief, IP54 → Ø ← 21 – 28.5 mm	EX GOT GR 16 M32 09IA Z4	32	99.746.3329.7	1
Technical data				
Material	Die cast zinc alloy			
Surface	powder coated, light blue			
Locking levers	zinc-plated steel			
Gasket	NBR			
Degree of protection				
with latched locking levers	IP54			
with appropriate cable glands	IP65			
Temperature range	-20 ... +60 °C			
Contact inserts				
See the product matrix	Page 24–25			

Special conditions for safe use:

1. The heavy duty connectors must be attached to a device in such a way that a minimum protection rating of IP54 is maintained in accordance with EN 60529.
2. The plug connectors can be used in an ambient temperature ranges of -20 °C to +60 °C.

See section "facts & DATA" for handling and assembly of the multipole connectors.

0344  I M1 Ex ia I

BVS 03 ATEX 184 X

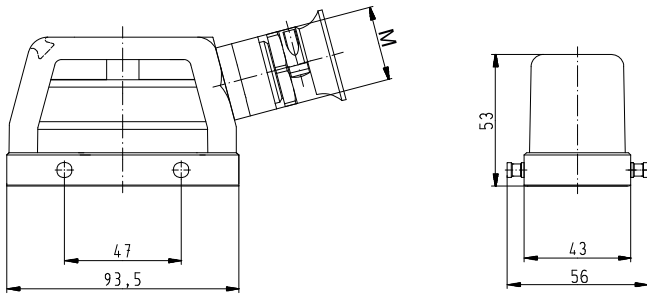
EN 60079-0:2006 EN 60079-11:2007 EN 50303:2000

For assembly instructions, see page 278 and 283.

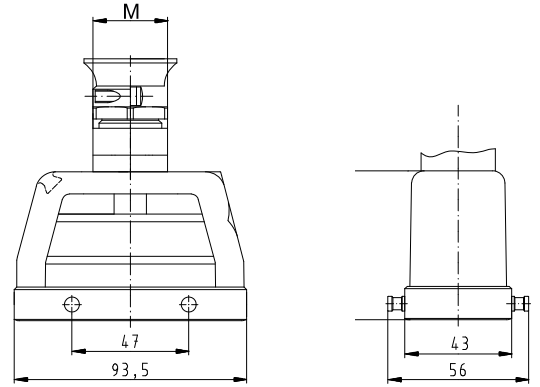
Dimensions

Hoods

Lateral cable entry



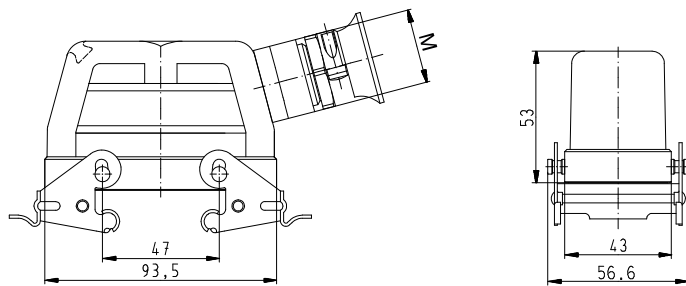
Top cable entry



Multipole connectors for cable-to-cable couplings with Locking levers and gasket

with Locking levers and gasket

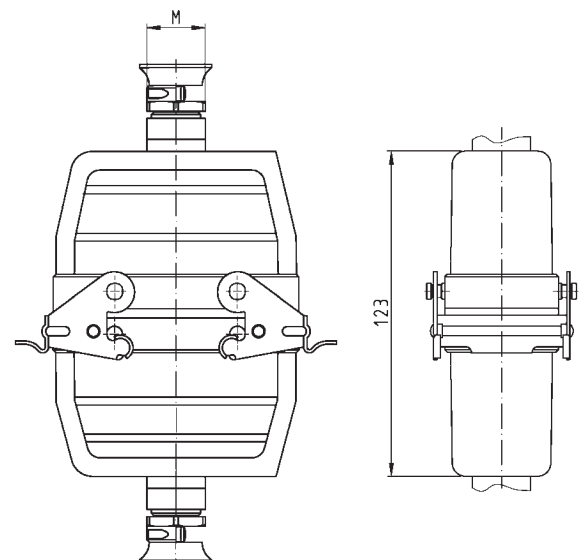
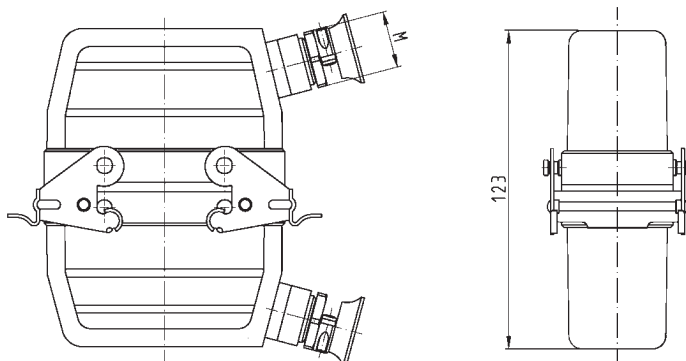
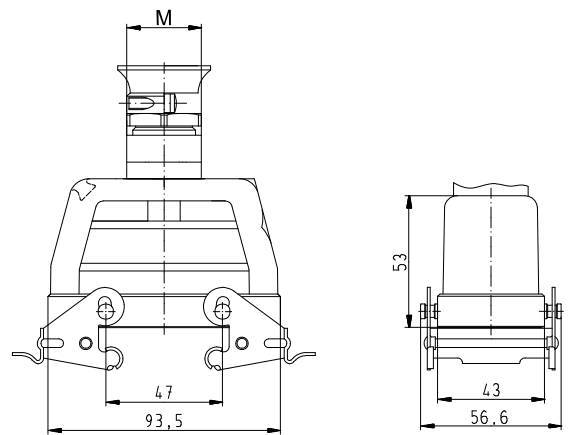
Lateral cable entry



Multipole connectors for cable-to-cable couplings with Locking levers and gasket

with Locking levers and gasket

Top cable entry



Bases, double locking lever

Size 16Ex

Bases
Size 16Ex



open
without cover



Description	Type	M	Part No.	P.U.
Bases, size 16Ex	Housing, die cast zinc alloy			
Open-bottom base				
without cover	EX GUT GA 16 09IA Z		70.320.1628.9	1
with cover, without Locking levers	EX GUT GE 16 09IA Z		70.325.1628.9	1
cover with gasket, without Locking levers	EX GUT GX 16 09IA Z		99.702.3329.7	10
Technical data				
Material metal/plastic	Die cast zinc alloy/Cover Polyamide			
Surface	powder coated, light blue			
Locking levers	zinc-plated steel			
Gasket	NBR			
Degree of protection				
with latched locking levers	IP54			
with appropriate cable glands	IP65			
Temperature range	-20 ... +60 °C			
Contact inserts				
See the product matrix			Page 24–25	

Special conditions for safe use:

1. The heavy duty connectors must be attached to a device in such a way that a minimum protection rating of IP54 is maintained in accordance with EN 60529.
2. The plug connectors can be used in an ambient temperature ranges of -20 °C to +60 °C.

See section "facts & DATA" for handling and assembly of the multipole connectors.

0344  I M1 Ex ia I

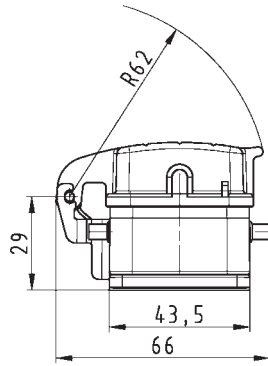
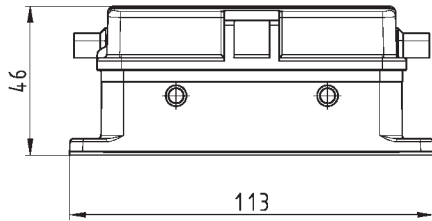
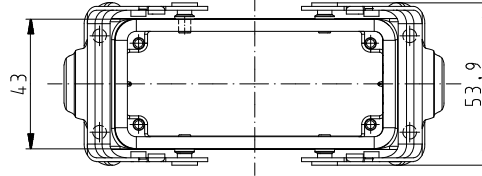
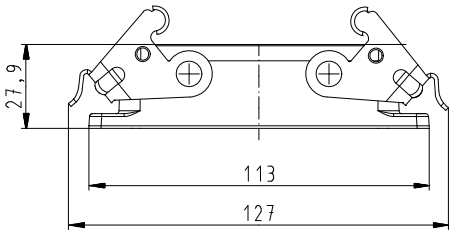
BVS 03 **ATEX** 184 X

EN 60079-0:2006 EN 60079-11:2007 EN 50303:2000

For assembly instructions, see page 278 and 283.

Dimensions

Bases open



Hoods, double locking lever

Size 24Ex

Hoods Size 24Ex



Lateral cable entry



Top cable entry



Multipole connectors for cable-to-cable couplings with Locking levers and gasket

Lateral cable entry



Top cable entry



Description	Type	M	Part No.	P.U.
Hoods, size 24Ex	Housing, die cast zinc alloy			
Lateral cable entry M25				
with threaded collar	EX GOT GA 24 M25 09IA Z1	25	70.350.2436.1	1
with strain relief, IP54 → Ø ← 14 – 20 mm	EX GOT GA 24 M25 09IA Z3	25	70.350.2436.3	1
Lateral cable entry M32				
with threaded collar	EX GOT GA 24 M32 09IA Z1	32	70.353.2436.1	1
with strain relief, IP54 → Ø ← 21 – 28.5 mm	EX GOT GA 24 M32 09IA Z3	32	70.353.2436.3	1
Top cable entry M25				
with threaded collar	EX GOT GC 24 M25 09IA Z1	25	70.352.2436.1	1
with strain relief, IP54 → Ø ← 14 – 20 mm	EX GOT GC 24 M25 09IA Z3	25	70.352.2436.3	1
Top cable entry M32				
with threaded collar	EX GOT GC 24 M32 09IA Z1	32	70.354.2436.1	1
with strain relief, IP54 → Ø ← 21 – 28.5 mm	EX GOT GC 24 M32 09IA Z3	32	70.354.2436.3	1
90 V Hoods, size 24Ex				
with Locking levers without gasket				
Lateral cable entry M25				
with threaded collar, with Locking levers	EX GOT GD 24 M25 09IA Z1	25	70.355.2436.1	1
with strain relief, IP54 → Ø ← 14 – 20 mm, with Locking levers	EX GOT GD 24 M25 09IA Z3	25	70.355.2436.3	1
Lateral cable entry M32				
with threaded collar, with Locking levers	EX GOT GD 24 M32 09IA Z1	32	70.358.2436.1	1
with strain relief, IP54 → Ø ← 21 – 28.5 mm, with Locking levers	EX GOT GD 24 M32 09IA Z3	32	70.358.2436.3	1
Top cable entry M25				
with threaded collar, with Locking levers	EX GOT GF 24 M25 09IA Z1	25	70.357.2436.1	1
with strain relief, IP54 → Ø ← 14 – 20 mm, with Locking levers	EX GOT GC 24 M25 09IA Z3	25	70.357.2436.3	1
Top cable entry M32				
with threaded collar, with Locking levers	EX GOT GF 24 M32 09IA Z1	32	70.359.2436.1	1
with strain relief, IP54 → Ø ← 21 – 28.5 mm, with Locking levers	EX GOT GF 24 M32 09IA Z3	32	70.359.2436.3	1
Multipole connectors for cable-to-cable couplings with Locking levers and gasket				
Lateral cable entry M25				
with strain relief, IP54 → Ø ← 14 – 20 mm	EX GOT GS 24 M25 09IA Z4	25	99.737.3329.7	5
Lateral cable entry M32				
with strain relief, IP54 → Ø ← 21 – 28.5 mm	EX GOT GS 24 M32 09IA Z4	32	99.738.3329.7	5
Top cable entry M25				
with strain relief, IP54 → Ø ← 14 – 20 mm	EX GOT GR 24 M25 09IA Z4	25	99.747.3329.7	4
Top cable entry M32				
with strain relief, IP54 → Ø ← 21 – 28.5 mm	EX GOT GR 24 M32 09IA Z4	32	99.748.3329.7	4
Technical data				
Material	Die cast zinc alloy			
Surface	powder coated, light blue			
Locking levers	zinc-plated steel			
Gasket	-			
Degree of protection				
with latched locking levers	IP54			
with appropriate cable glands	IP65			
Temperature range	-20 ... +60 °C			
Contact inserts				
See the product matrix	Page 24–25			

Special conditions for safe use:

1. The heavy duty connectors must be attached to a device in such a way that a minimum protection rating of IP54 is maintained in accordance with EN 60529.
2. The plug connectors can be used in an ambient temperature ranges of -20 °C to +60 °C.

See section "facts & DATA" for handling and assembly of the multipole connectors.

0344  I M1 Ex ia I

BVS 03 ATEX 184 X

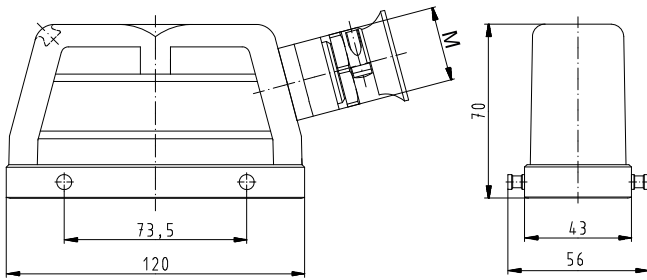
EN 60079-0:2006 EN 60079-11:2007 EN 50303:2000

For assembly instructions, see page 278 and 283.

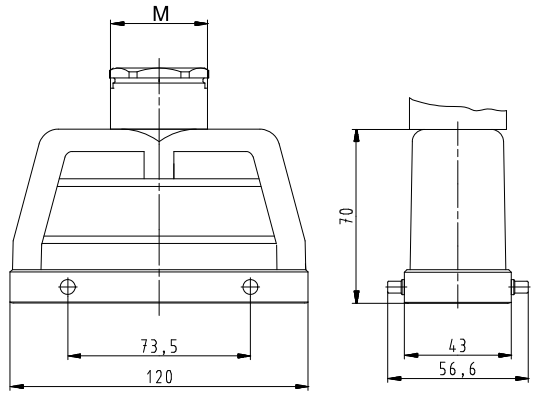
Dimensions

Hoods

Lateral cable entry

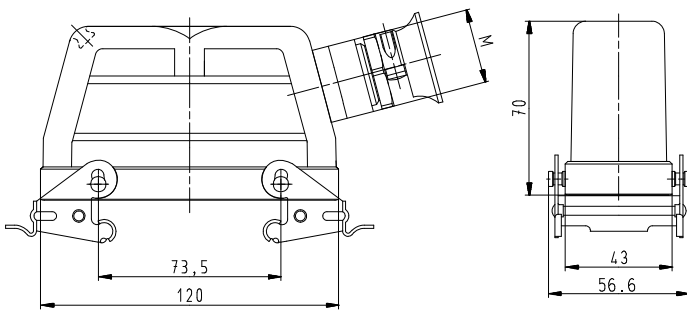


Top cable entry



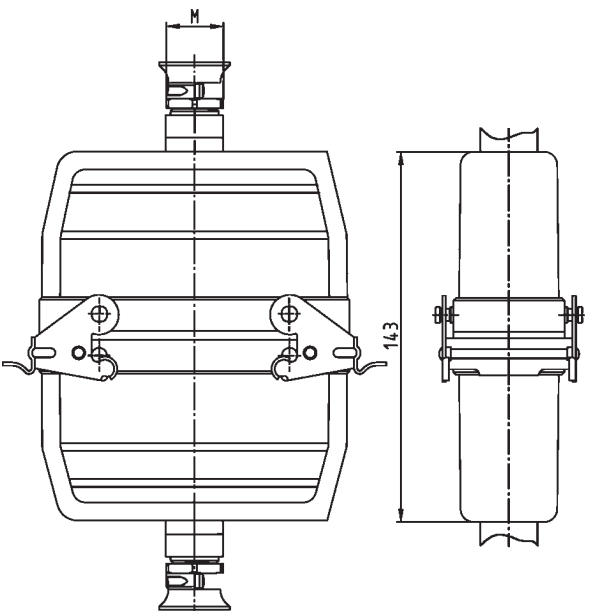
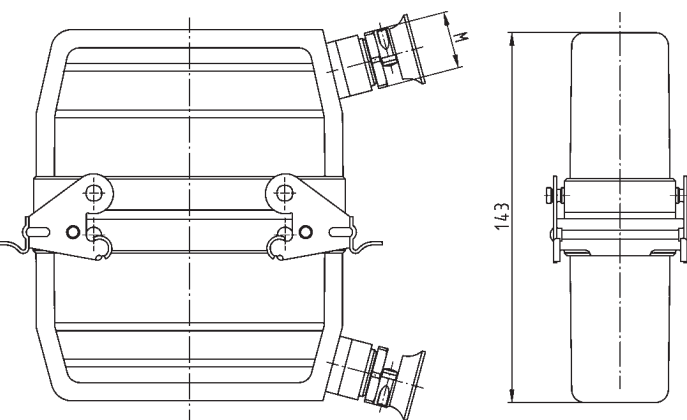
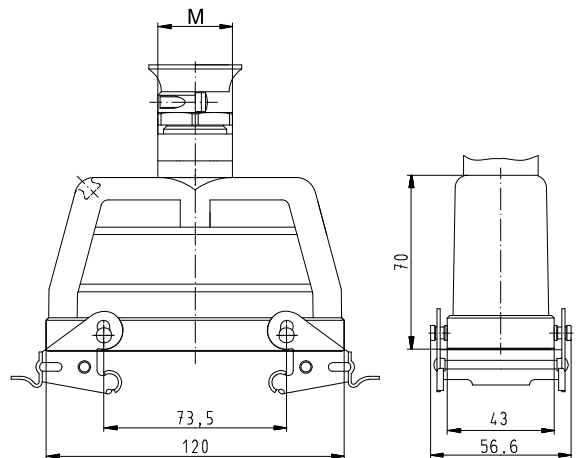
Multipole connectors for cable-to-cable couplings with Locking levers and gasket

Lateral cable entry



Multipole connectors for cable-to-cable couplings with Locking levers and gasket

Top cable entry



Bases, double locking lever Size 24Ex

Bases Size 24Ex



open without cover



closed 1 cable gland without cover



closed 1 cable gland, bottom without cover



Description	Type	M	Part No.	P.U.
Bases, size 24Ex	Housing, die cast zinc alloy			
Open-bottom base				
without cover	EX GUT GA 24 09IA Z		70.320.2428.9	1
with cover, without Locking levers	EX GUT GE 24 09IA Z		70.325.2428.9	1
cover with gasket, without Locking levers	EX GUT GX 24 09IA Z		99.706.3329.7	10
Closed-bottom base				
2 cable glands, 2 x M25				
without cover				
with cable gland, IP54, $\rightarrow \text{Ø} \leftarrow$ 7.5 – 19 mm	EX GUT GB 24 M25 09IA Z0	25	70.330.2436.0	1
with cover, without Locking levers				
with cable gland, IP54, $\rightarrow \text{Ø} \leftarrow$ 7.5 – 19 mm	EX GUT GF 24 M25 09IA Z0	25	70.340.2436.0	1
1 cable gland, left, 1 x M25				
without cover				
with cable gland, IP54, $\rightarrow \text{Ø} \leftarrow$ 7.5 – 19 mm	EX GUT GC 24 M25 09IA Z0	25	70.331.2436.0	1
with cover, without Locking levers				
with cable gland, IP54, $\rightarrow \text{Ø} \leftarrow$ 7.5 – 19 mm	EX GUT GG 24 M25 09IA Z0	25	70.341.2436.0	1
1 cable gland, bottom, 1 x M25				
without cover				
with cable gland, IP54, $\rightarrow \text{Ø} \leftarrow$ 7.5 – 19 mm	EX GUT GD 24 M25 09IA Z0	25	70.333.2436.0	1
with cover, without Locking levers				
with cable gland, IP54, $\rightarrow \text{Ø} \leftarrow$ 7.5 – 19 mm	EX GUT GI 24 M25 09IA Z0	25	70.343.2436.0	1
Technical data				
Material	Die cast zinc alloy			
Surface	powder coated, light blue			
Locking levers	zinc-plated steel			
Gasket	NBR			
Degree of protection				
with latched locking levers	IP54			
with appropriate cable glands	IP65			
Temperature range	-20 ... +60 °C			
Contact inserts				
See the product matrix				Page 24–25

Special conditions for safe use:

1. The heavy duty connectors must be attached to a device in such a way that a minimum protection rating of IP54 is maintained in accordance with EN 60529.
2. The plug connectors can be used in an ambient temperature ranges of -20 °C to +60 °C.

See section "facts & DATA" for handling and assembly of the multipole connectors.

0344  I M1 Ex ia I

BVS 03 ATEX 184 X

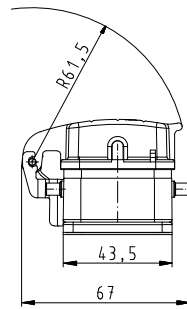
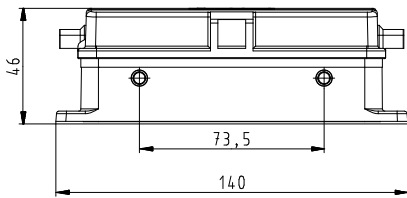
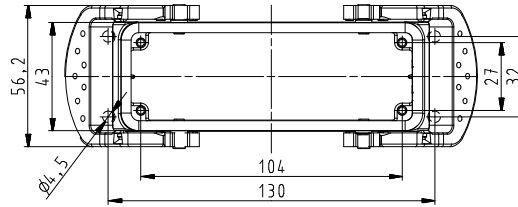
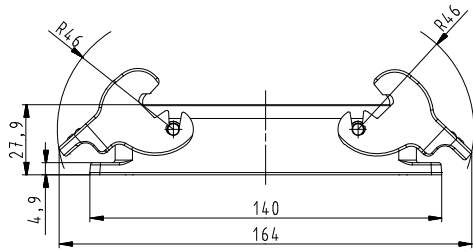
EN 60079-0:2006 EN 60079-11:2007 EN 50303:2000

For assembly instructions, see page 278 and 283.

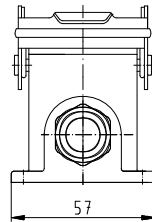
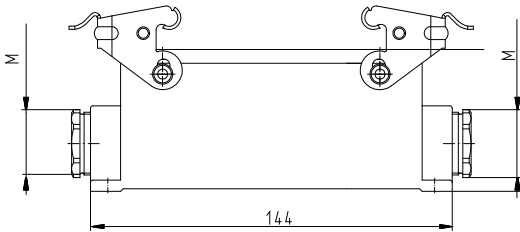
Dimensions

Bases

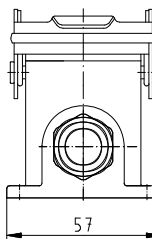
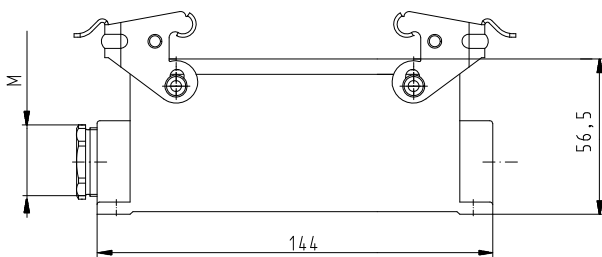
open



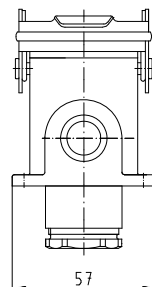
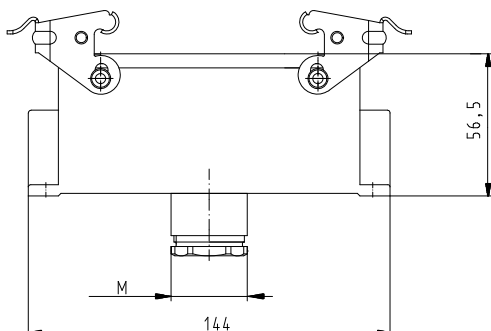
closed, 2 cable glands



closed, 1 cable gland



closed, 1 cable gland, bottom



Hoods, single locking lever, Size 48Ex

Hoods Size 48Ex



Lateral cable entry



Top cable entry



Description	Type	M	Part No.	P.U.
Hoods, size 48Ex	Housing, die cast zinc alloy			
Lateral cable entry M32				
with threaded collar	EX GOT GG 48 M32 09IA Z1	32	70.350.4836.1	1
with strain relief, IP54 → Ø ← 21 – 28,5 mm	EX GOT GG 48 M32 09IA Z3	32	70.350.4836.3	1
Lateral cable entry M40				
with threaded collar	EX GOT GG 48 M40 09IA Z1	40	70.353.4836.1	1
Top cable entry M32				
with threaded collar	EX GOT GI 48 M32 09IA Z1	32	70.352.4836.1	1
with strain relief, IP54 → Ø ← 21 – 28,5 mm	EX GOT GI 48 M32 09IA Z3	32	70.352.4836.3	1
Top cable entry M40				
with threaded collar	EX GOT GI 48 M40 09IA Z1	40	70.354.4836.1	1
Technical data				
Material	Die cast zinc alloy			
Surface	powder coated, light blue			
Locking levers	–			
Gasket	–			
Degree of protection				
with latched locking levers	IP54			
with appropriate cable glands	IP65			
Temperature range	-20 ... +60 °C			
Contact inserts				
See the product matrix			Page 24–25	

Special conditions for safe use:

1. The heavy duty connectors must be attached to a device in such a way that a minimum protection rating of IP54 is maintained in accordance with EN 60529.
2. The plug connectors can be used in an ambient temperature ranges of -20 °C to +60 °C.

See section "facts & DATA" for handling and assembly of the multipole connectors.

0344  I M1 Ex ia I

BVS 03 **ATEX** 184 X

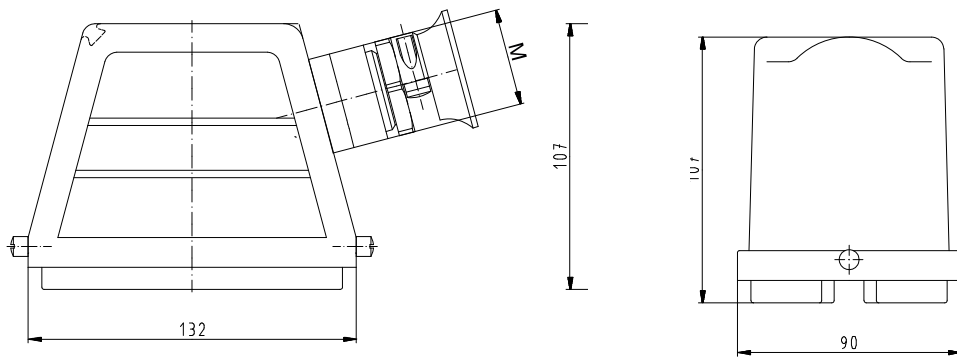
EN 60079-0:2006 EN 60079-11:2007 EN 50303:2000

For assembly instructions, see page 278 and 283.

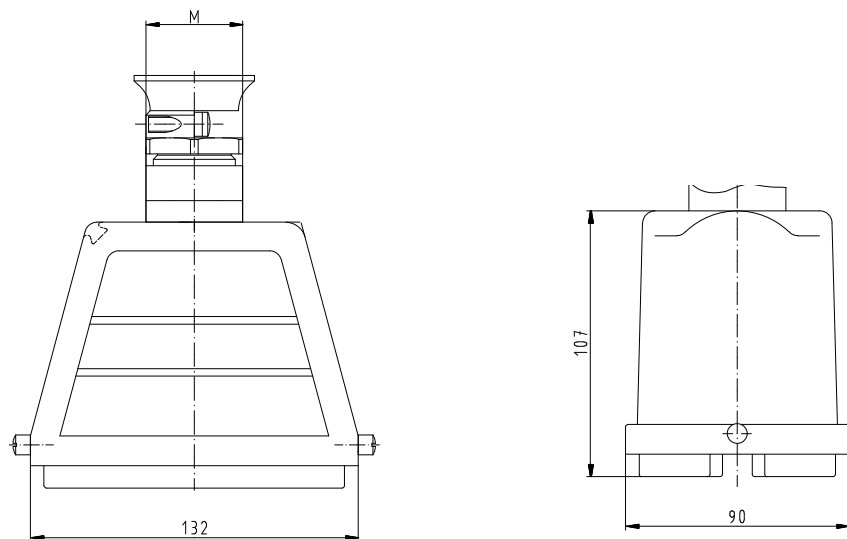
Dimensions

Hoods

Lateral cable entry



Top cable entry



Bases, single locking lever, Size 48Ex

Bases Size 48Ex



open
without cover
with cover



closed
without cover
with cover



Description	Type	M	Part No.	P.U.
Bases, size 48Ex				
Open-bottom base				
without cover	EX GUT GK48 09IA Z		70.320.4828.9	1
with metal cover	EX GUT GP48 09IA Z		70.325.4828.9	1
Closed-bottom base				
1 cable gland, left, 1 x M32				
without cover				
with strain relief, IP54 → Ø ← 21 – 28.5 mm	BAS GUT GM 48 M32 09IA Z3	32	70.331.4836.3	1
with metal cover				
with strain relief, IP54 → Ø ← 21 – 28.5 mm	BAS GUT GS 48 M32 09IA Z3	32	70.341.4836.3	1
1 cable gland, left, 1 x M40				
with metal cover				
with cable gland, IP54, → Ø ← 27 – 37 mm	BAS GUT GR 48 M40 09IA Z3	40	70.344.4836.4	1
Technical data				
Material	Die cast zinc alloy			
Surface	powder coated, light blue			
Locking levers	–			
Gasket	–			
Degree of protection				
with latched locking levers	IP54			
with appropriate cable glands	IP65			
Temperature range	-20 ... +60 °C			
Contact inserts				
See the product matrix	Page 24–25			

Special conditions for safe use:

1. The heavy duty connectors must be attached to a device in such a way that a minimum protection rating of IP54 is maintained in accordance with EN 60529.
2. The plug connectors can be used in an ambient temperature ranges of -20 °C to +60 °C.

See section "facts & DATA" for handling and assembly of the multipole connectors.

0344  I M1 Ex ia I

BVS 03 ATEX 184 X

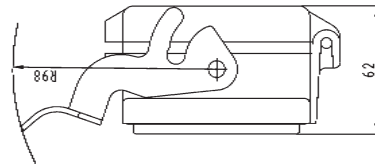
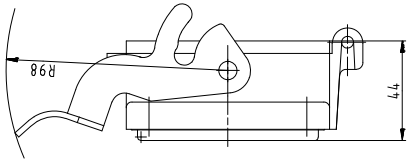
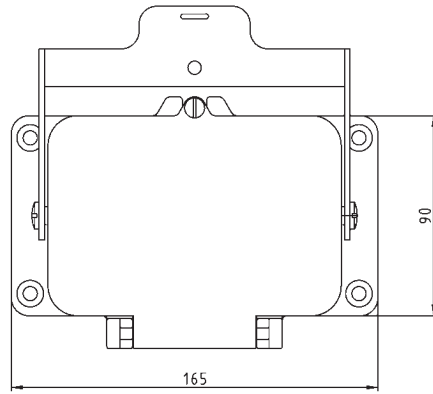
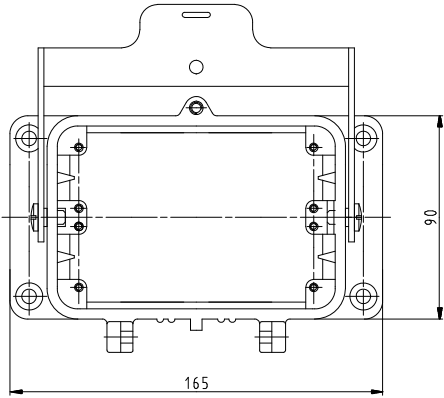
EN 60079-0:2006 EN 60079-11:2007 EN 50303:2000

For assembly instructions, see page 278 and 283.

Dimensions

Bases

open



closed

